
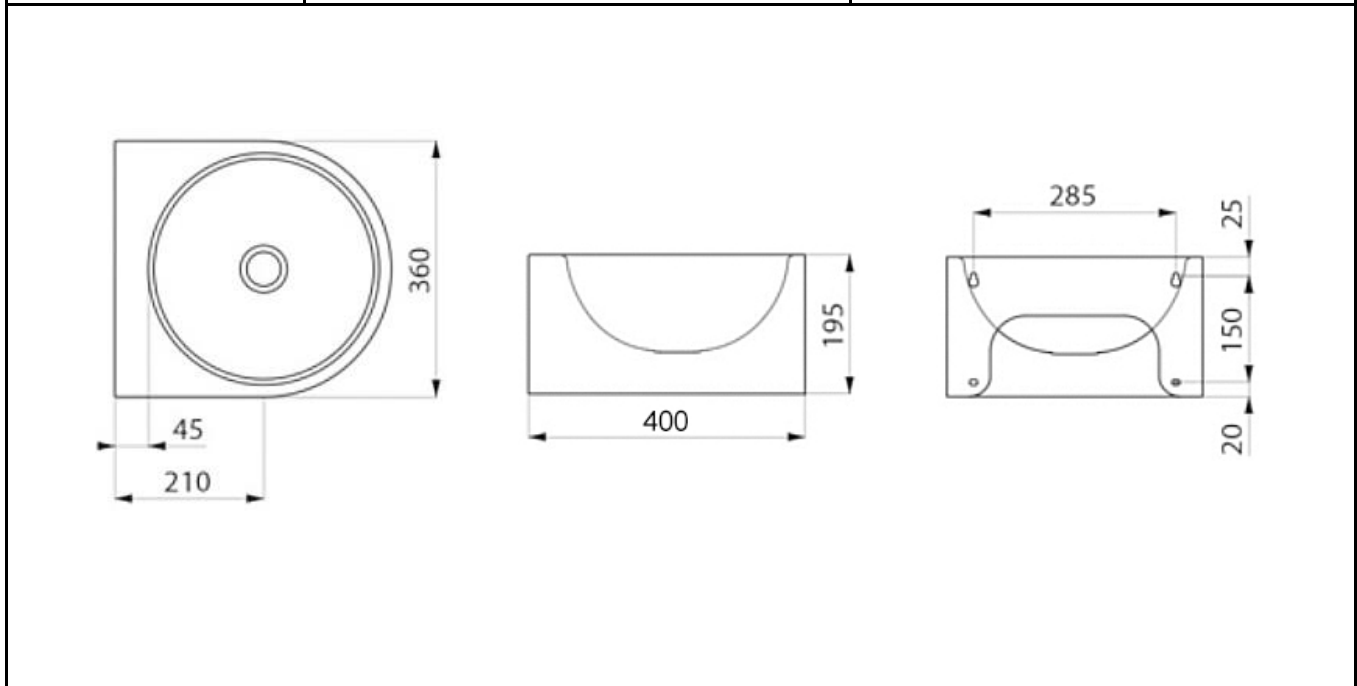




PROJECT		REF		REV	ITEM CODE	
LOCATION		DATE			PAGE	

SANITARY WARE SPECIFICATION SHEET

<p>Item Descriptions</p> <p>Dimensions</p> <p>Model</p> <p>Finish</p> <p>Manufacturer</p> <p>Supplier</p> <p>Contact Tel/Fax</p> <p>E-mail</p> <p>Website</p>	<p>EMCA (PRC) 1.5mm stainless steel in grade 304 anti-vandal hand basin without overflow hole & taphole for clinical use</p> <p>L400 x W360 x H195 mm</p> <p>EMH0221.703-400x360x195-15-SS304</p> <p>Stainless Steel Grade 304</p> <p>EMCA (PRC)</p> <p>Acme Sanitary Ware Co. Ltd Mr. Eric Wong/ Mr. Don Yuen</p> <p>(852) 2388-7171 / (852) 2710-8012</p> <p>acme@acmesanitary.com.hk</p> <p>www.acmesanitary.com.hk</p>	<p style="text-align: center;">Illustration/ Drawing</p> <div style="text-align: right;"></div>  <p style="text-align: center;">(Image reference only)</p>
--	--	---



Note:

** All information is of the above is for the reference only. No prior notice is made if any changes.*